

AquaLIGHT 103

Experience Lighting with RGBW and Amber Light



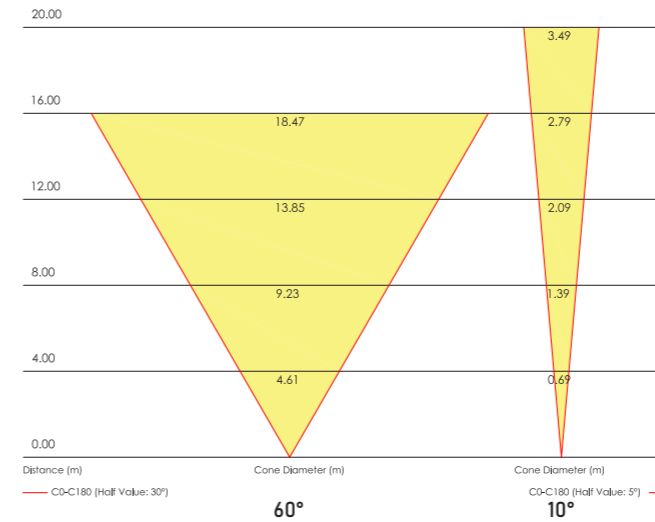
Our well-proven lights are equipped with energy-efficient LED plates that produce effective illumination. AquaLIGHT 103 offers a single light option with white variants (wW, W, cW). This light creates an efficient composition in open space fountains. This powerful light brings even more brightness into the darkness and can also be installed in larger fountain systems. Individual fountains and water effects are effectively illuminated with a light like this.



- ✓ CREE / Edison PowerLED
- ✓ Driver circuit onboard
- ✓ Aluminium PCB
- ✓ IP68
- ✓ Robust stainless steel
- ✓ Tempered glass
- ✓ DMX + RDM controlled
- ✓ Synchronorm Depence Library available

AquaLIGHT 103

Lighting Angle:

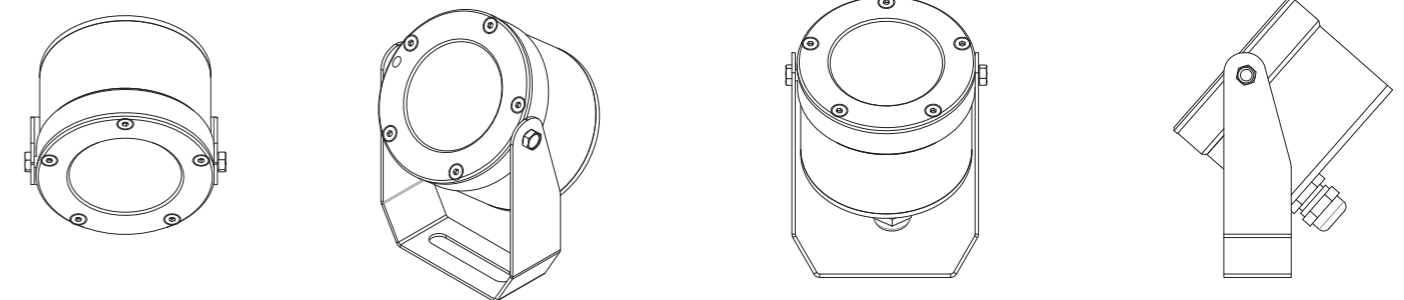


! In lighting, choosing the lens angle is as important as selecting the color or wattage. Small angles retain brightness at long distances, while wide angles cover larger areas but lose brightness over distance.

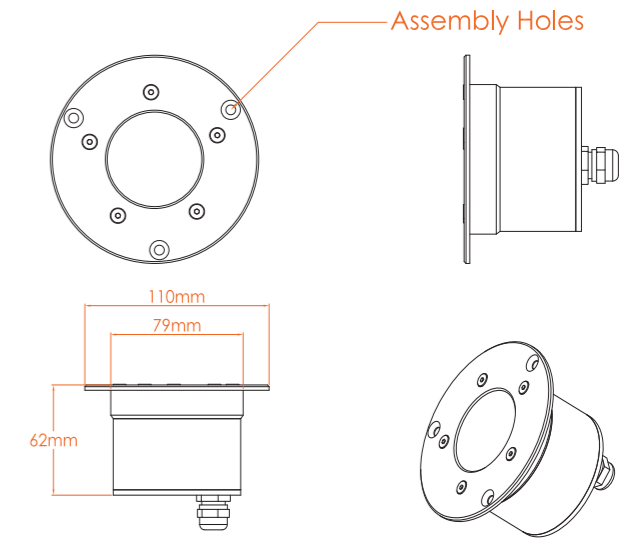
ACCESSORIES

PRODUCT	ORDER NO
BlackBox :	5022
Combo Cable :	page
ByPass Terminal :	page
Holder Lighting :	1203
Holder U Profile :	1201

Connection Schematic :



DryDECK Options :



TECHNICAL DETAILS

MODEL :	AquaLIGHT 103
DIMENSION (ØxH) :	110 x 62 mm
VOLTAGE :	24 VDC
POWER :	3 W
CURRENT :	0.1 A
COLORS :	wW / W / cW
POWER & DMX :	Combo Cable
LUMINOUS FLUX RGB FULL :	360 lm
WEIGHT :	1 kg
PRODUCT NO :	3003